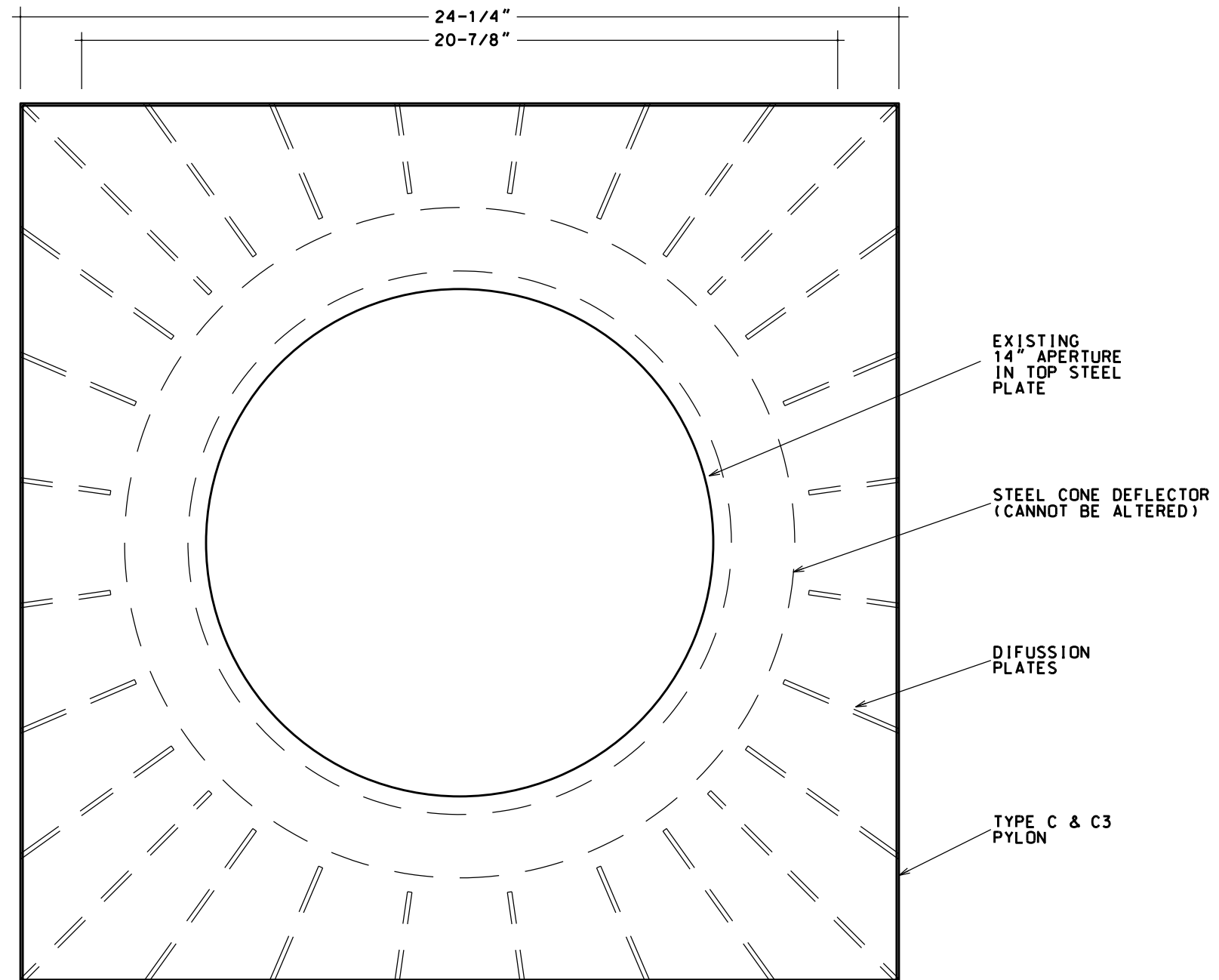
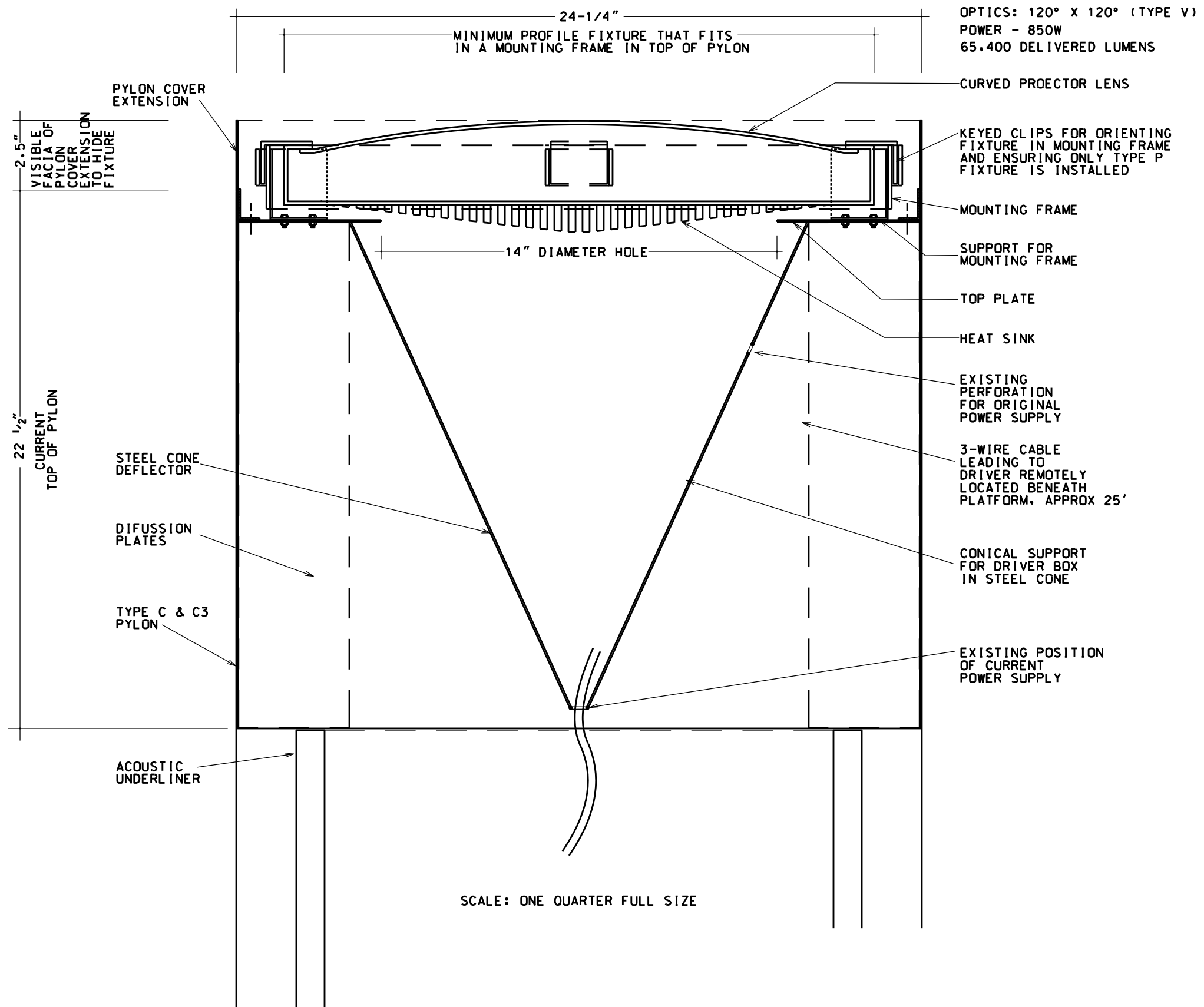


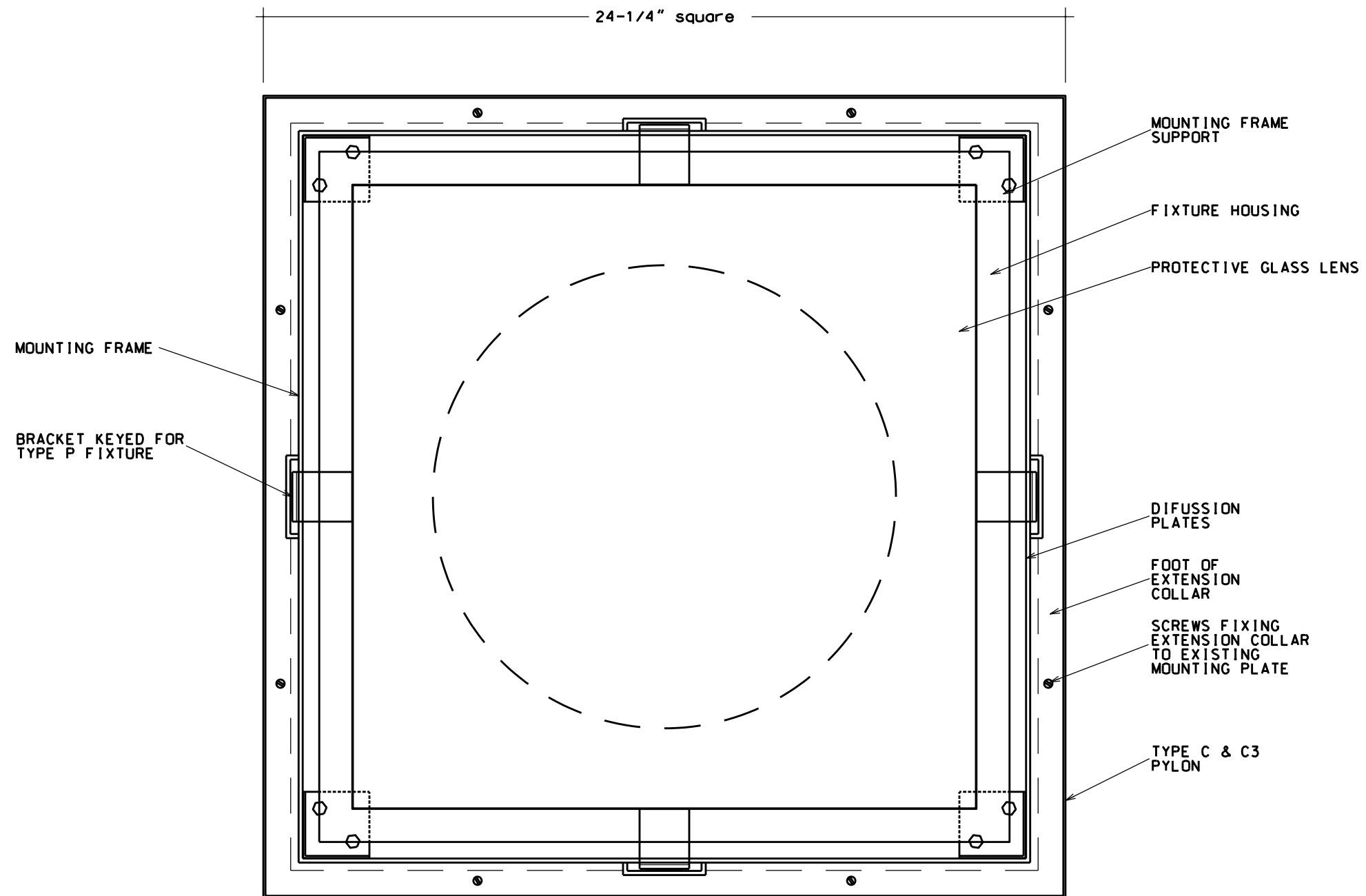
SCALE: ONE QUARTER FULL SIZE



SCALE: ONE QUARTER FULL SIZE

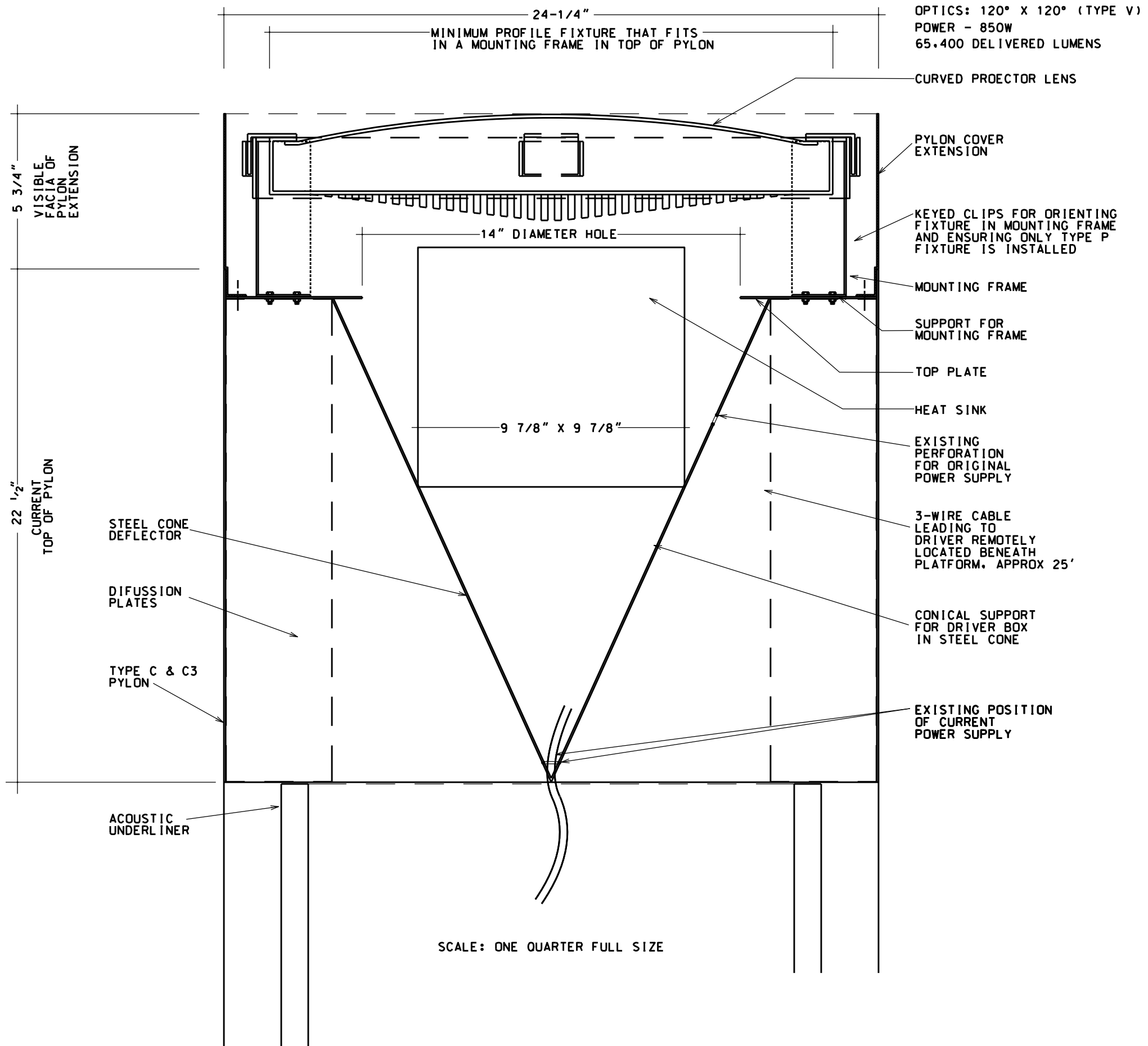


REMOTE  
DRIVER  
TYPE P



SCALE: ONE QUARTER FULL SIZE

REMOTE  
DRIVER  
TYPE P



OPTICS: 120° X 120° (TYPE V)  
 POWER - 850W  
 65,400 DELIVERED LUMENS

5 3/4"  
 VISIBLE  
 FACIA OF  
 PYLON  
 EXTENSION

22 1/2"  
 CURRENT  
 TOP OF PYLON

24-1/4"  
 MINIMUM PROFILE FIXTURE THAT FITS  
 IN A MOUNTING FRAME IN TOP OF PYLON

14" DIAMETER HOLE

9 7/8" X 9 7/8"

STEEL CONE  
 DEFLECTOR

DIFUSSION  
 PLATES

TYPE C & C3  
 PYLON

ACOUSTIC  
 UNDERLINER

CURVED PROJECTOR LENS

PYLON COVER  
 EXTENSION

KEYED CLIPS FOR ORIENTING  
 FIXTURE IN MOUNTING FRAME  
 AND ENSURING ONLY TYPE P  
 FIXTURE IS INSTALLED

MOUNTING FRAME

SUPPORT FOR  
 MOUNTING FRAME

TOP PLATE

HEAT SINK

EXISTING  
 PERFORATION  
 FOR ORIGINAL  
 POWER SUPPLY

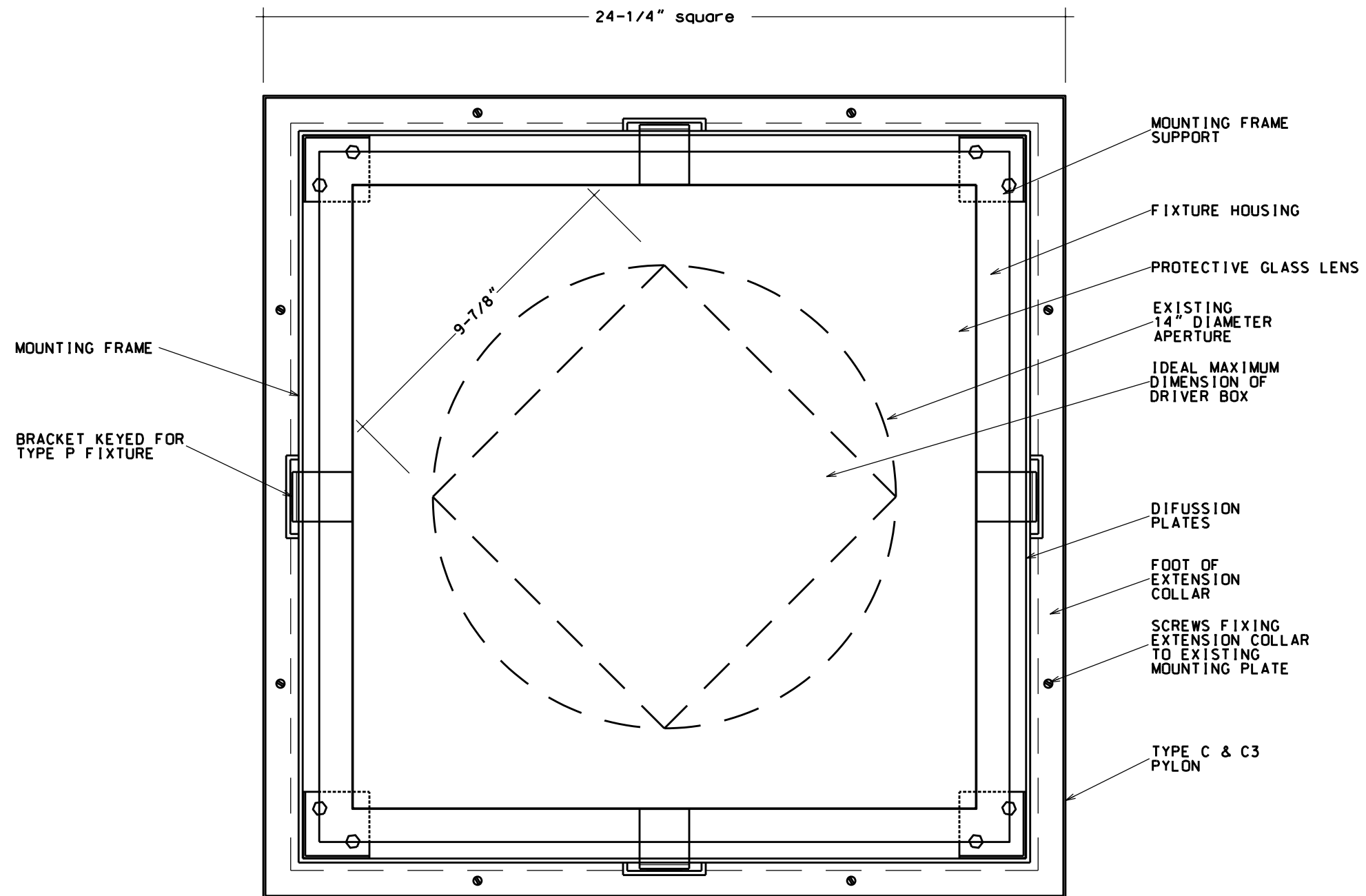
3-WIRE CABLE  
 LEADING TO  
 DRIVER REMOTELY  
 LOCATED BENEATH  
 PLATFORM, APPROX 25'

CONICAL SUPPORT  
 FOR DRIVER BOX  
 IN STEEL CONE

EXISTING POSITION  
 OF CURRENT  
 POWER SUPPLY

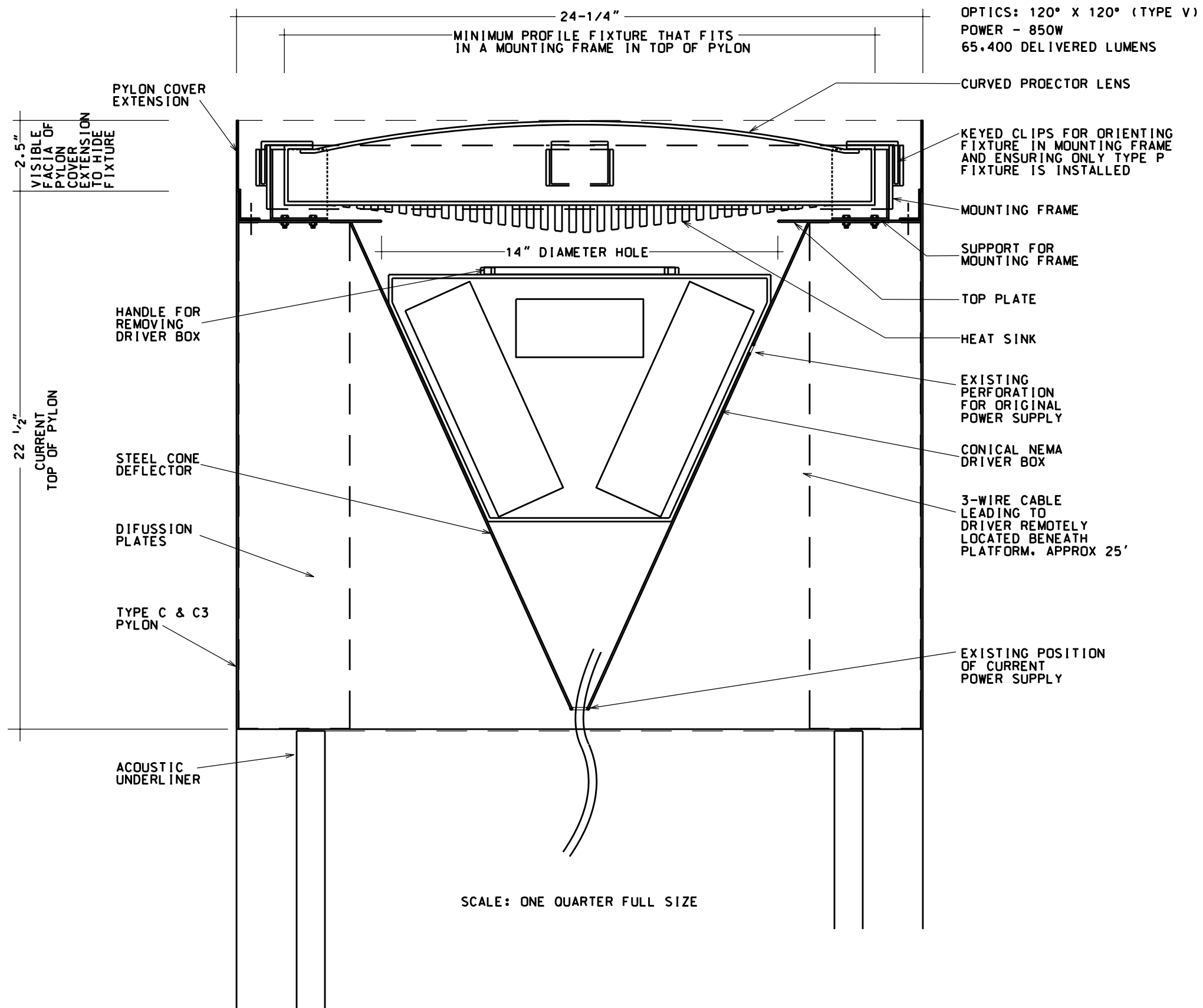
SCALE: ONE QUARTER FULL SIZE

9 7/8" CUBICAL  
 DRIVER BOX  
 TYPE P

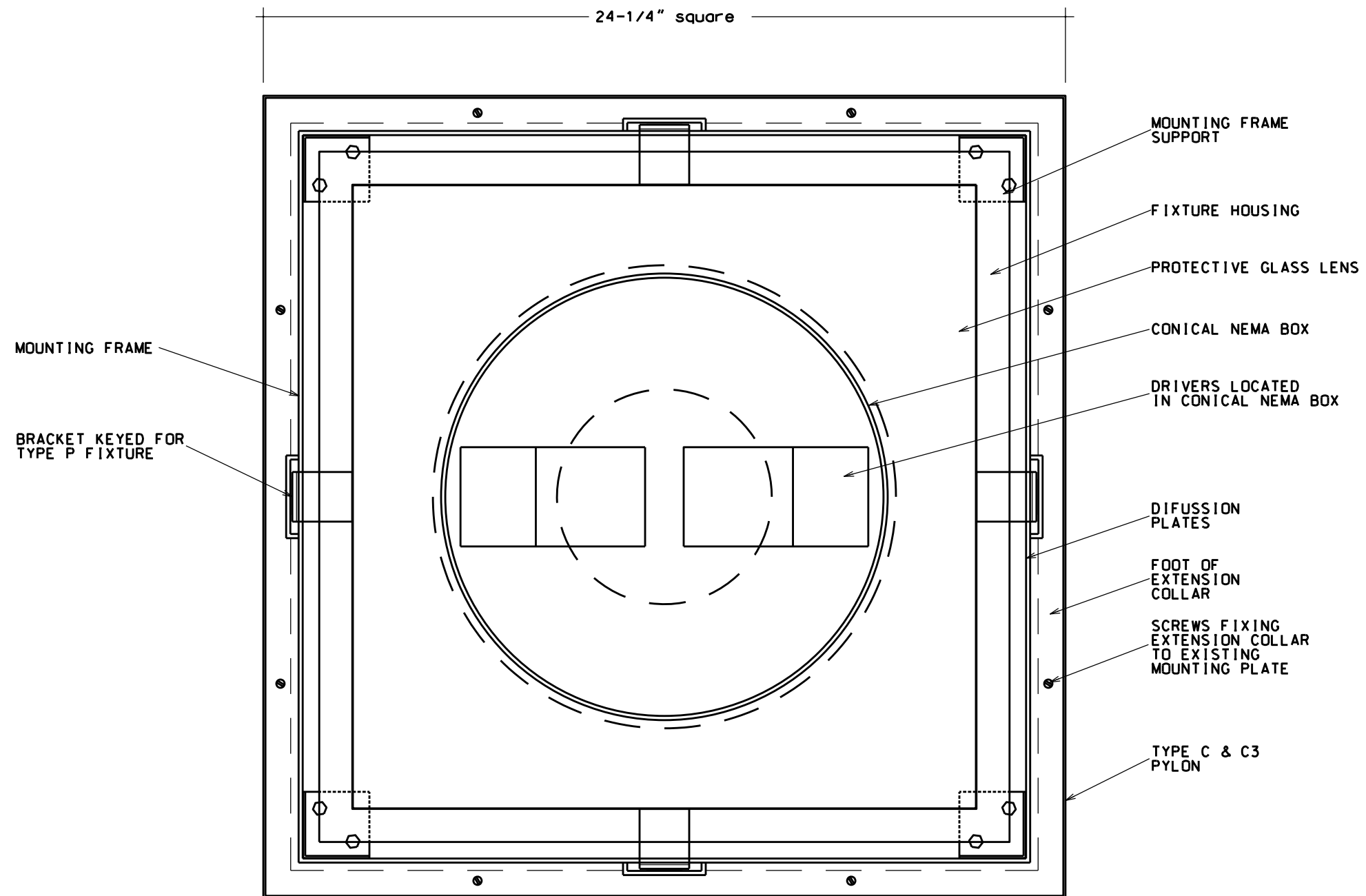


SCALE: ONE QUARTER FULL SIZE

9 7/8" CUBICAL  
DRIVER BOX  
TYPE P



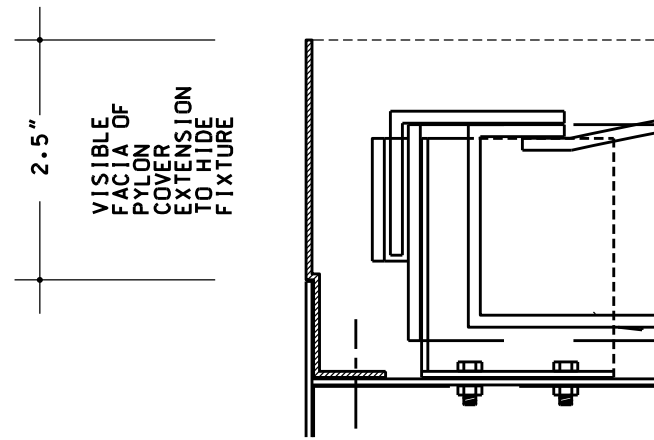
CONICAL  
DRIVER BOX  
TYPE P



SCALE: ONE QUARTER FULL SIZE

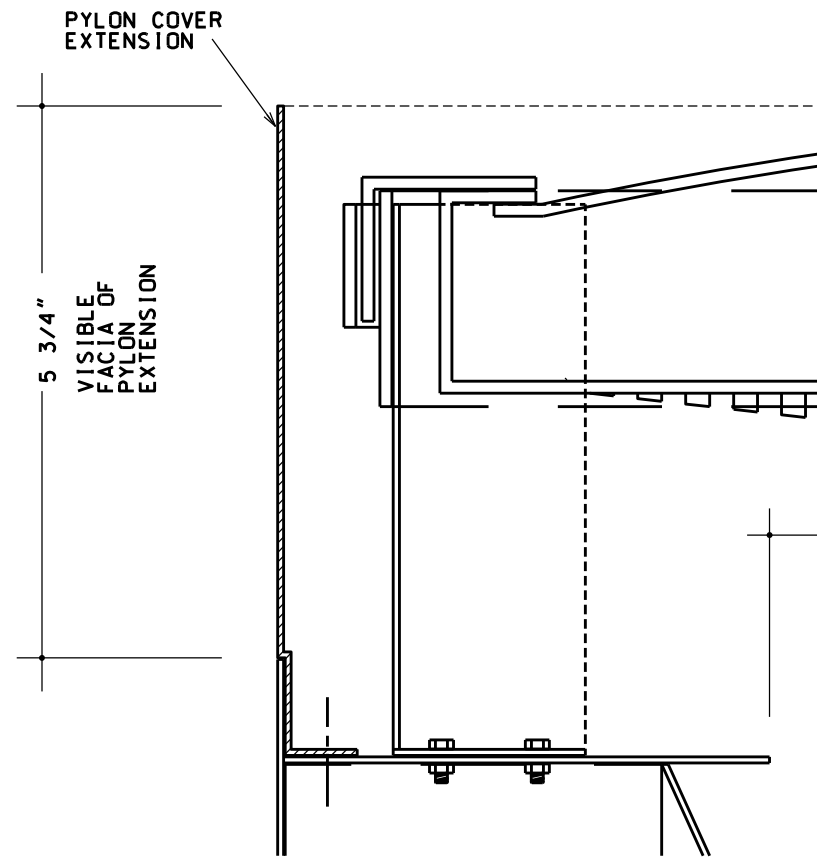
CONICAL  
DRIVER BOX  
TYPE P





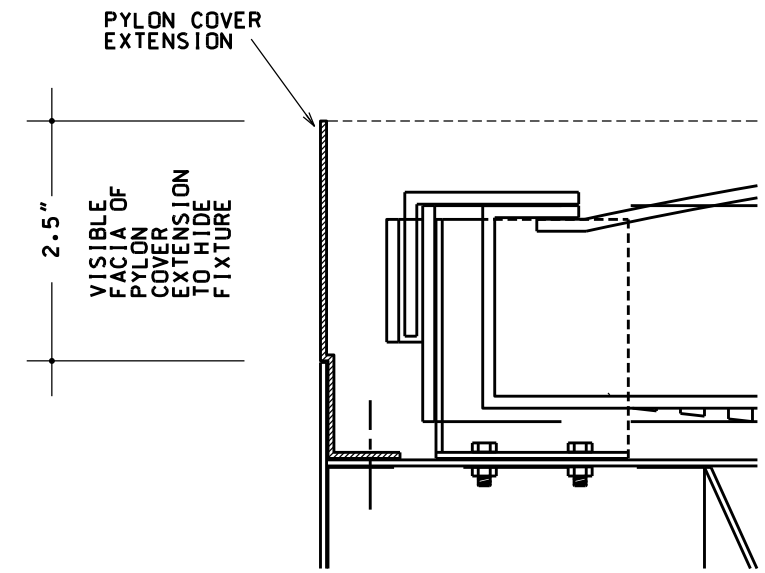
SCALE: ONE HALF FULL SIZE

**CONICAL DRIVER BOX**



SCALE: ONE HALF FULL SIZE

**9 7/8" CUBICAL DRIVER BOX**



SCALE: ONE HALF FULL SIZE

**REMOTE DRIVER**